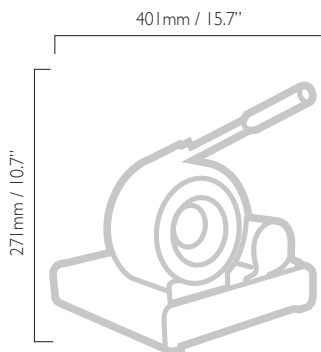




PI 6 HP CRIMPING MACHINE FOR SERVICE LINE

P16 HP - COMPACT, FAST AND RELIABLE

Finn Power's portable P16 HP is designed for field service when repairs must be made on-site. It is easy to operate and highly reliable.



Finn-Power P16 HP is a manually operated hydraulic crimping machine for repair workshops. It is easy to use and light and compact in size, which allows it to be easily carried to any location. This hand-operated portable machine works even in places where electricity or compressed air are not available.

Finn-Power service machines are simple in construction, easy to operate, and highly reliable. Their ergonomic design, efficient, fast pump and impressively high crimping force makes them ideal crimpers for field service.

	P16 HP
Crimping range (mm) ¹⁾	10-45
Crimping range (inch) ¹⁾	0.39-1.77
Hose size ID (inch)	1
Max. crimping force (kN)	955
Max. crimping force (tonnage)	95
Motor (kW)	hand pump
Motor (HP)	hand pump
Weight (kg)	26
Weight (lbs)	57

1) With standard dies. Crimping range can be increased with special dies.